

# ALPHA

3377UFR125P62 blue

EAN 4031582360745

Swivel caster with total lock, trailing end of caster, housing made of pressed steel, bright zinc plated, blue passivated, double ball bearing swivel head, wheel axle with nut, plate fitting. Wheel center made of Polyamide, Tread: elastic-tire, non-marking, roller bearing



BETTER MOBILITY. BETTER LIFE.

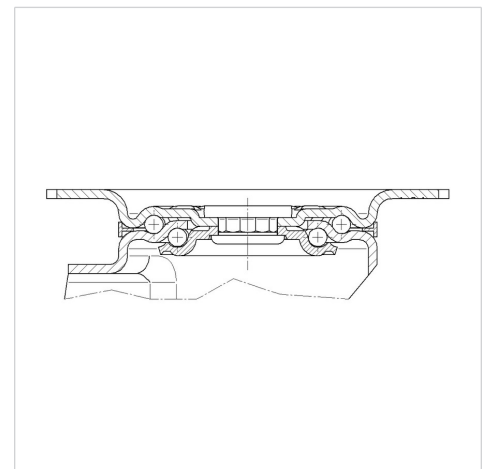


Picture may differ from original product

## Technical Data

Wheel diameter	4.92 in
Wheel width	1.57 in
Plate size	4.13 x 3.35 in
Plate hole centers	3.15/3.03 x 2.36 in
Plate hole	0.35 in
Offset	1.57 in
Swivel Interference	9.17 in
Overall height	6.10 in
Temperature	- 4 / + 176 °F
Standard	EN 12532
Weight	2.747 lbs
Swivel Radius	4.59 in
Hardness of tread	Shore A 64
Load capacity (dynamic)	275 lbs
Load capacity (static)	550 lbs

## Structure & Mounting



## Advantages at a glance

Roll performance	● ● ● ○ ○
Movement noise	● ● ● ● ●
Attrition	● ● ● ○ ○
Corrosion resistance	● ● ● ○ ○

# ALPHA

3377UFR125P62 blue

EAN 4031582360745



BETTER MOBILITY. BETTER LIFE.

## Structure & Mounting

