

UB-L6i-V

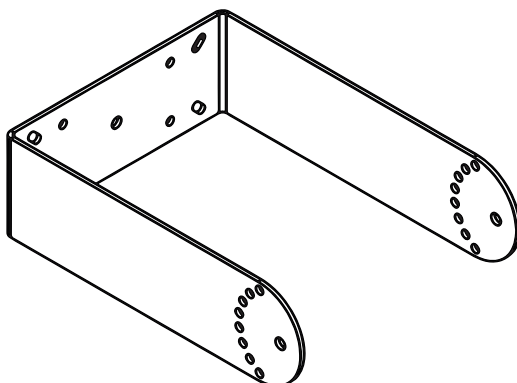
U-Bracket for L6i



Technical
Data Sheet

Overview

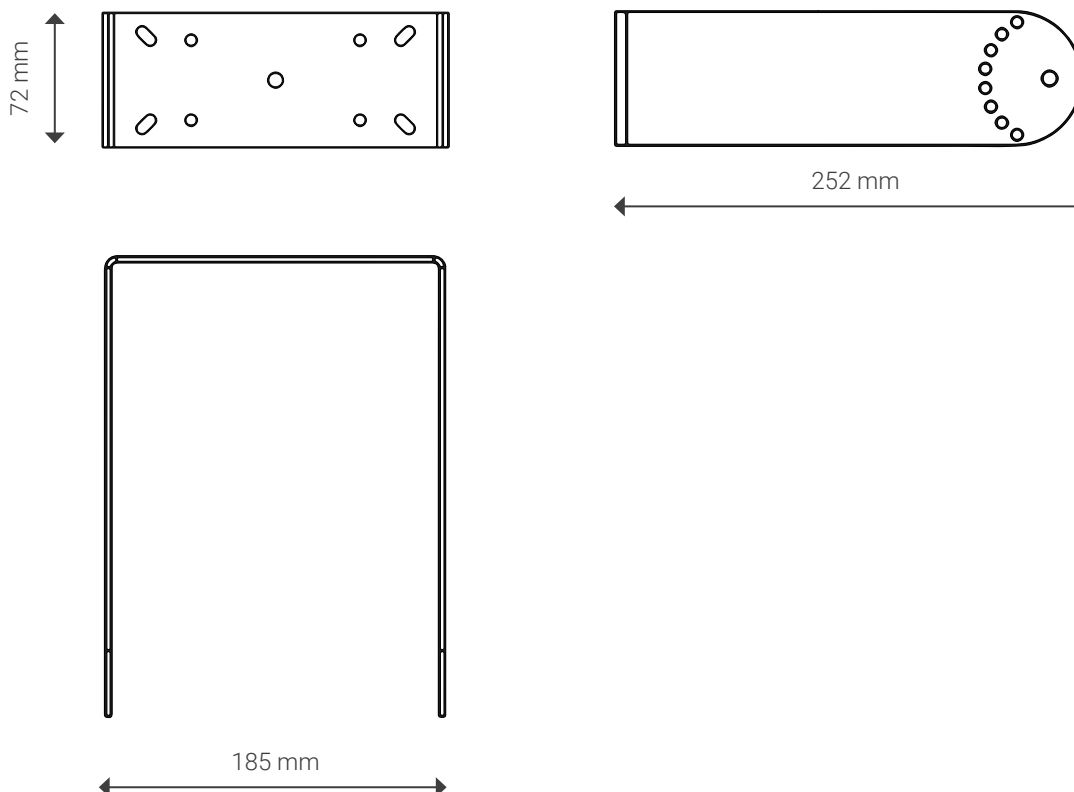
U-shaped metal part allowing for installations of **LUA6i** in its vertical position on solid surfaces such as walls or columns. The arched arrays of holes on both sides allow for different angle configurations.



Technical Data

Construction	Weatherized steel
Dimensions	185 x 72 x 252 mm
Weight	1.1 kg
Compatible models	LUA6i

Technical Drawings





I MÁS D ELECTROACÚSTICA SL

Pol. A Trabe 19-20, 15350 – Cedeira, A Coruña (España)

Tel. +34 881 545 135

www.ideaproaudio.com

info@ideaproaudio.com

Specifications and product appearance may be subject to change without notice.

TD_UB-L6i-V_EN_v2.0 | 12 - 2022