

UB-E15-H

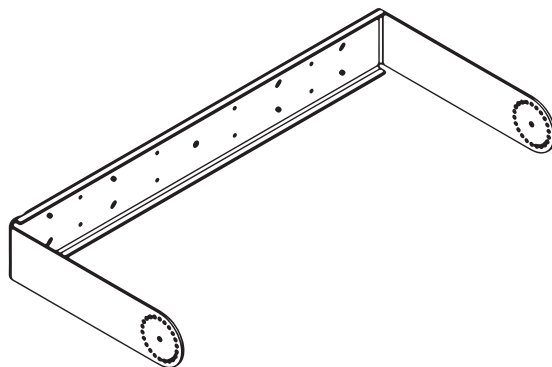
U-Bracket for **EXO15/EXO15-A**



Technical
Data Sheet

Overview

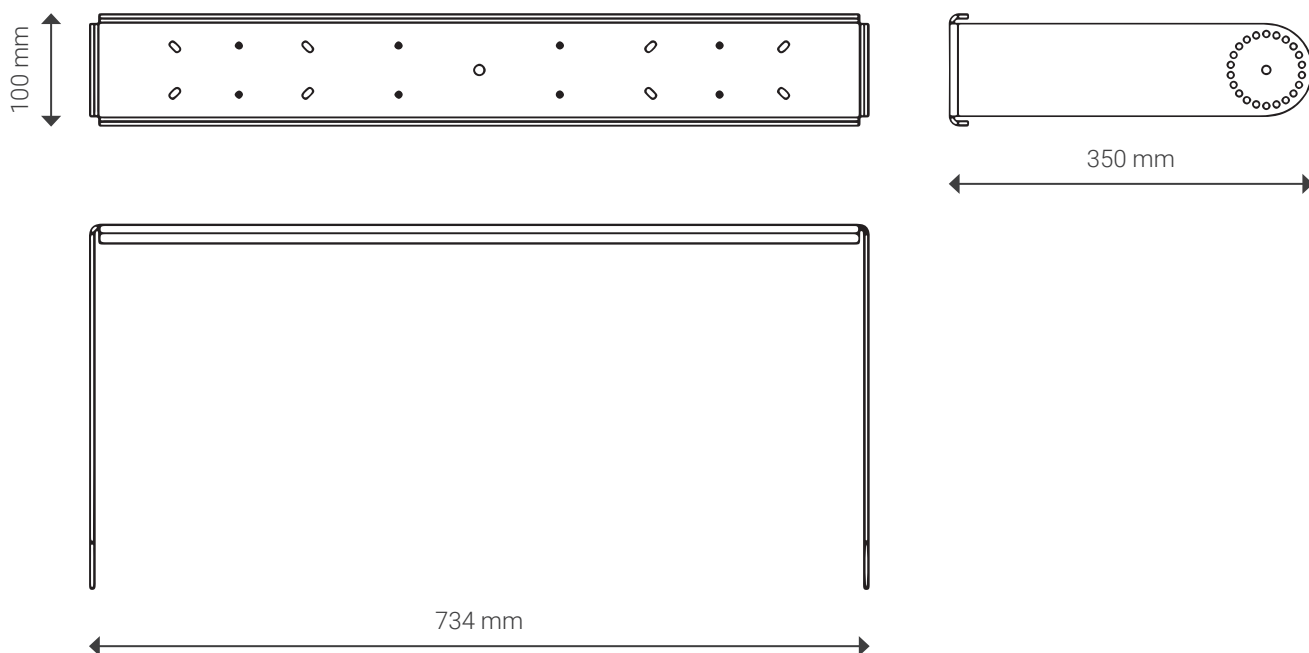
U-shaped metal part allowing for installations of **EXO15/EXO15-A** in its horizontal position on solid surfaces such as walls or columns. The arrays of holes on both sides allow for different angle configurations.



Technical Data

Construction	Weatherized steel
Dimensions	734 x 350 x 100 mm
Weight	5 kg
Compatible models	EXO15, EXO15-A

Technical Drawings





I MÁS D ELECTROACÚSTICA SL

Pol. A Trabe 19-20, 15350 – Cedeira, A Coruña (España)

Tel. +34 881 545 135

www.ideaproaudio.com

info@ideaproaudio.com

Specifications and product appearance may be subject to change without notice.

TD_UB-E15-H_EN_v2.0 | 05 - 2023