

UB-E12-H

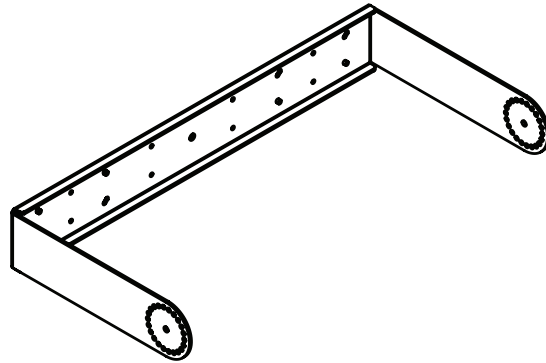
U-Bracket for EXO12/EXO12-A



Technical
Data Sheet

Overview

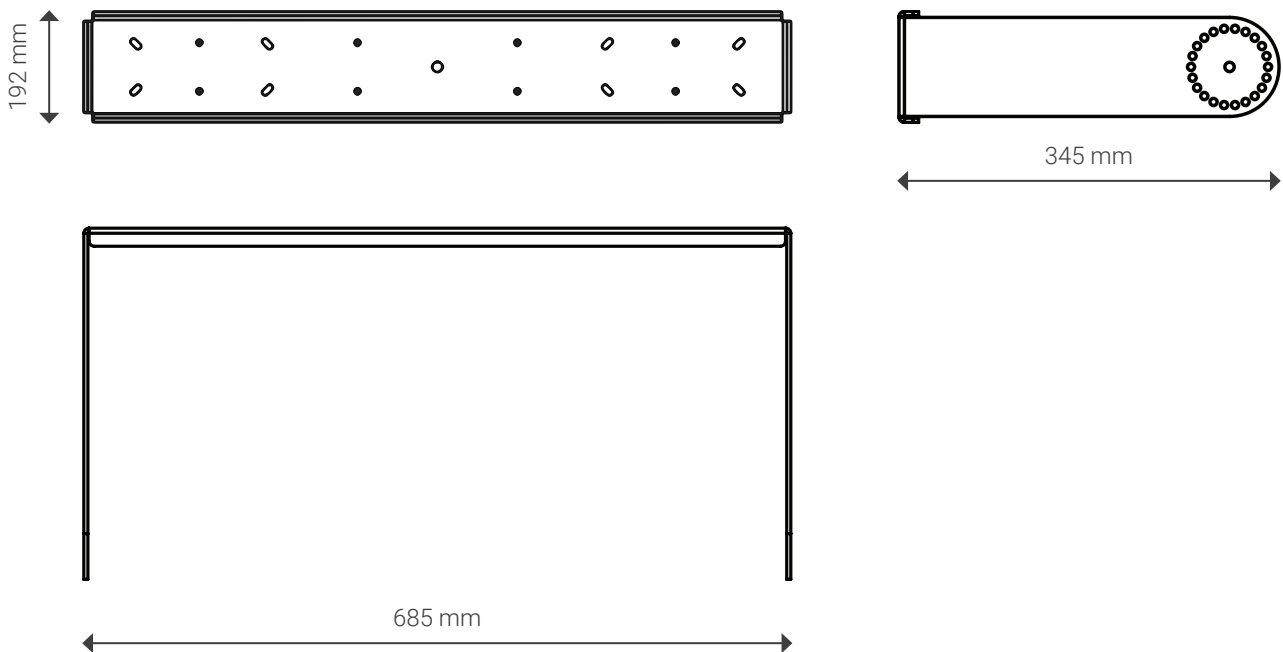
U-shaped metal part allowing for installations of **EXO12/EXO12-A** in its horizontal position on solid surfaces such as walls or columns. The arrays of holes on both sides allow for different angle configurations.



Technical Data

Construction	Weatherized steel
Dimensions	685 x 192 x 345 mm
Weight	4.7 kg
Compatible models	EXO12, EXO12-A

Technical Drawings





I MÁS D ELECTROACÚSTICA SL

Pol. A Trabe 19-20, 15350 – Cedeira, A Coruña (España)

Tel. +34 881 545 135

www.ideaproaudio.com

info@ideaproaudio.com

Specifications and product appearance may be subject to change without notice.

TD_UB-E12-H_EN_v2.0 | 05 - 2023