

# RS-BASSO-R

Rigging System

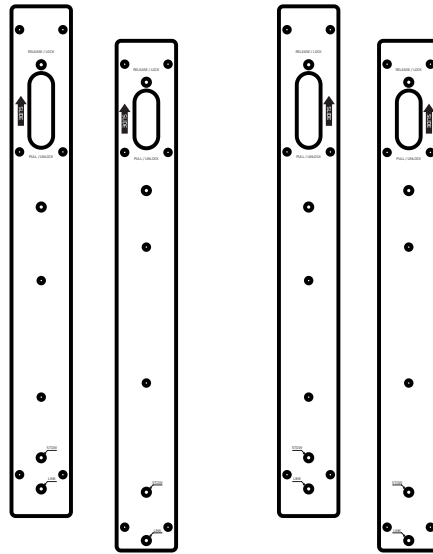


Technical  
Data Sheet

# Overview

Rigging system.

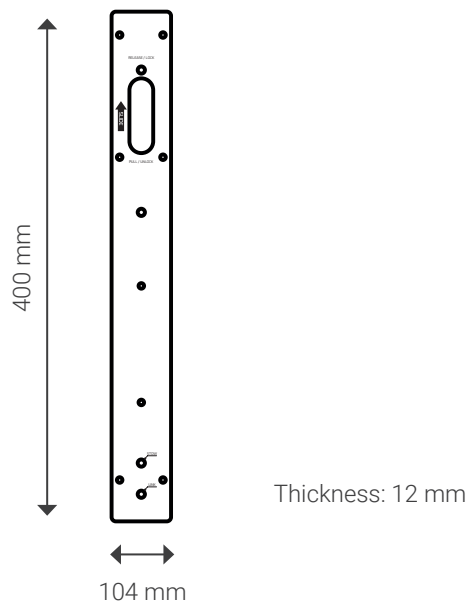
RS **BASSO R** allows for both flown and stacked configurations of **BASSO R118** and **BASSO R118-A**.



## Technical Data

Construction	Weatherized steel
Dimensions (each piece)	600 x 104 x 12 mm
Weight (total)	4 kg
Compatible models	<b>BASSO R118</b> , <b>BASSO R118-A</b>

## Technical Drawings





I MÁS D ELECTROACÚSTICA SL

Pol. A Trabe 19-20, 15350 – Cedeira, A Coruña (España)

Tel. +34 881 545 135

[www.ideaproaudio.com](http://www.ideaproaudio.com)

[info@ideaproaudio.com](mailto:info@ideaproaudio.com)

*Specifications and product appearance may be subject to change without notice.*

TD\_RS-BASSO-R\_EN\_v2.0 | 09 - 2023