

# RS-BASSO-M

Rigging System

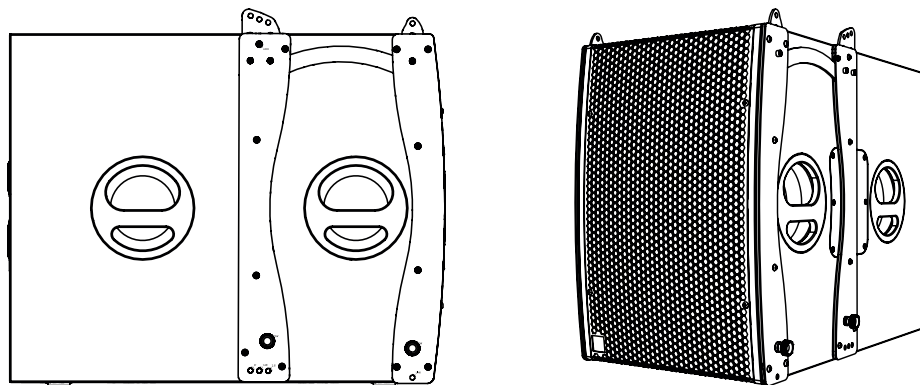


Technical  
Data Sheet

# Overview

Rigging system.

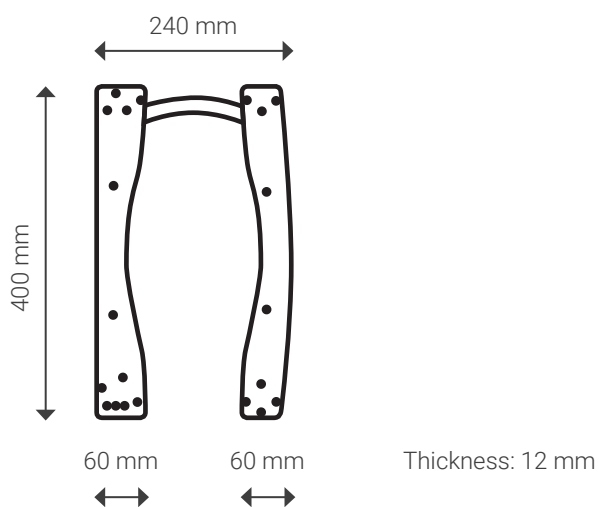
RS **BASSO M** allows for both flown and stacked configurations of **BASSO24t F400** and **BASSO24t-A F400**.



## Technical Data

<b>Construction</b>	Weatherized steel
<b>Dimensions</b>	Front: 400 x 60 x 12 mm - Rear: 400 x 60 x 12 mm, Total width (assembled): 240 mm.
<b>Weight</b>	4 kg
<b>Compatible models</b>	<b>BASSO24t F400</b> , <b>BASSO24t-A F400</b>

## Technical Drawings





I MÁS D ELECTROACÚSTICA SL

Pol. A Trabe 19-20, 15350 – Cedeira, A Coruña (España)

Tel. +34 881 545 135

[www.ideaproaudio.com](http://www.ideaproaudio.com)

[info@ideaproaudio.com](mailto:info@ideaproaudio.com)

*Specifications and product appearance may be subject to change without notice.*

TD\_RS-BASSO-M\_EN\_v2.0 | 12 - 2022