

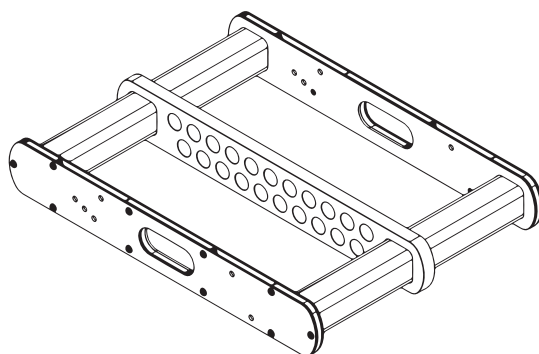
RF-EV08-P
Rigging Frame Accessory



**Technical
Data Sheet**

Overview

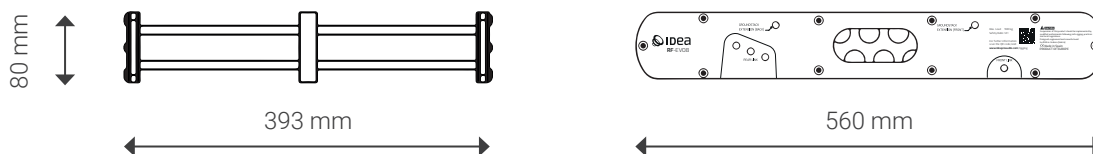
Rigging frame for **EVO8-P** Rigging frame that allows for quick, easy and secure deployment in flown setups. The rigging frame has been design to seamlessly fit and lock with **EVO8-P**.



Technical Data

Construction	Weatherized steel
Dimensions	560 x 80 x 393 mm
Weight	21 kg
Max. Load	16 x EVO8-P
Safety Ratio	12:1 (BGV C1 directive)
Compatible models	EVO8-P

Technical Drawings



⚠ IMPORTANT Safety and Warranty notice

This rigging equipment has been designed and constructed to be used exclusively with **IDEA EVO8-P**.

This Rigging Frame structure complies with the BGV C1 Directives with a WLL (Work Load Limit) with a 12:1 Safety Ratio. To preserve these features is imperative all other 3rd party rigging equipment also comply with the above directives and safety ratio. It is the user's responsibility to check and observe these practices before proceeding with rigging operations. The use with any other product or equipment is strongly discouraged and **IDEA** decline all responsibility derived from bad practices, misuse and alterations in the equipment.



I MÁS D ELECTROACÚSTICA SL

Pol. A Trabe 19-20, 15350 – Cedeira, A Coruña (España)

Tel. +34 881 545 135

www.ideaproaudio.com

info@ideaproaudio.com

Specifications and product appearance may be subject to change without notice.

TD_RF-EV08-P_EN_v2.0 | 07 - 2023