

# RF-EVO55

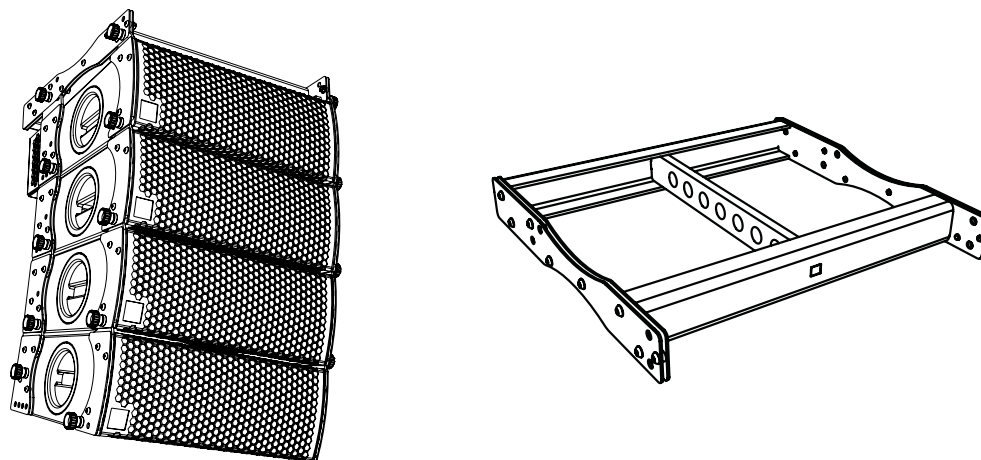
Rigging Frame for **EVO55** System



Technical  
Data Sheet

# Overview

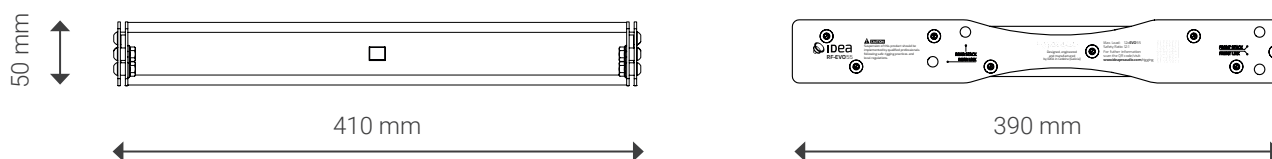
RF **EVO55** is a dedicated rigging frame that allows for quick, easy and secure deployment in flown setups. The rigging frame has been design to seamlessly fit and lock with **EVO55-P/EVO55-M** and **BASSO24t F400/BASSO24t-A F400** integrated rigging hardware.



## Technical Data

<b>Construction</b>	Weatherized steel
<b>Dimensions</b>	410 x 50 x 390 mm
<b>Weight</b>	4.9 kg
<b>Max. Load</b>	12 <b>EVO55-P/EVO55-M</b>
<b>Safety Ratio</b>	12:1 (BGV C1 directive)
<b>Compatible models</b>	<b>EVO55-P, EVO55-M, BASSO24t F400, BASSO24t-A F400</b>

## Technical Drawings



### **⚠ IMPORTANT Safety and Warranty notice**

This rigging equipment has been designed and constructed to be used exclusively with **IDEA** models **EVO55-P, EVO55-M, BASSO24t F400, BASSO24t-A F400**.

This Rigging Frame structure complies with the BGV C1 Directives with a WLL (Work Load Limit) with a 12:1 Safety Ratio. To preserve these features is imperative all other 3rd party rigging equipment also comply with the above directives and safety ratio. It is the user's responsibility to check and observe these practices before proceeding with rigging operations. The use with any other product or equipment is strongly discouraged and **IDEA** decline all responsibility derived from bad practices, misuse and alterations in the equipment.



I MÁS D ELECTROACÚSTICA SL

Pol. A Trabe 19-20, 15350 – Cedeira, A Coruña (España)

Tel. +34 881 545 135

[www.ideaproaudio.com](http://www.ideaproaudio.com)

[info@ideaproaudio.com](mailto:info@ideaproaudio.com)

*Specifications and product appearance may be subject to change without notice.*

TD\_RF-EV055\_EN\_v2.0 | 09 - 2023