

RF-9060

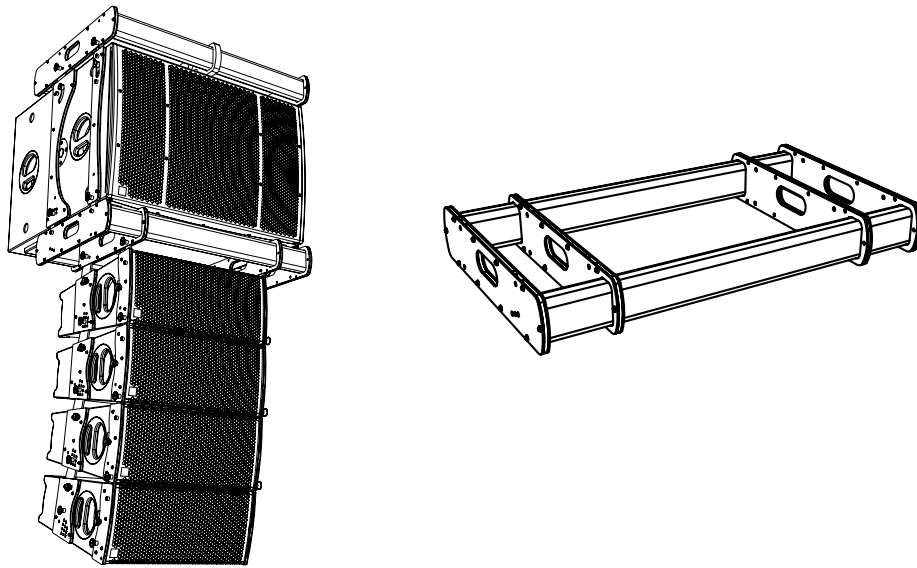
Rigging Frame 900-600 mm adaptor



Technical
Data Sheet

Overview

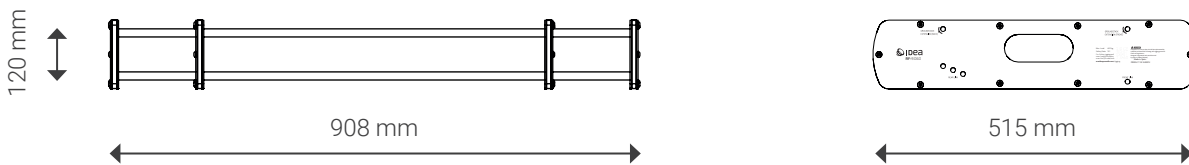
Rigging frame that allows for flown and stacked setups featuring 900-mm and 600-mm wide models.



Technical Data

Construction	Weatherized steel
Dimensions	515 x 120 x 908 mm
Weight	39 kg
Max. Load	500 kg
Safety Ratio	12:1 (BGV C1 directive)
Compatible models	EVO88-P, EVO88-M, BASSO21t, BASSO36t, BASSO36t-A

Technical Drawings



⚠ IMPORTANT Safety and Warranty notice

This rigging equipment has been designed and constructed to be used exclusively with **IDEA** models **EVO88-P**, **EVO88-M**, **BASSO21t**, **BASSO36t**, **BASSO36t-A**.

This Rigging Frame structure complies with the BGV C1 Directives with a WLL (Work Load Limit) with a 12:1 Safety Ratio. To preserve these features is imperative all other 3rd party rigging equipment also comply with the above directives and safety ratio. It is the user's responsibility to check and observe these practices before proceeding with rigging operations. The use with any other product or equipment is strongly discouraged and **IDEA** decline all responsibility derived from bad practices, misuse and alterations in the equipment.



I MÁS D ELECTROACÚSTICA SL

Pol. A Trabe 19-20, 15350 – Cedeira, A Coruña (España)

Tel. +34 881 545 135

www.ideaproaudio.com

info@ideaproaudio.com

Specifications and product appearance may be subject to change without notice.

TD_RF-9060_EN_v2.0 | 11 - 2022