

# RF-600-STK

Stack adaptor

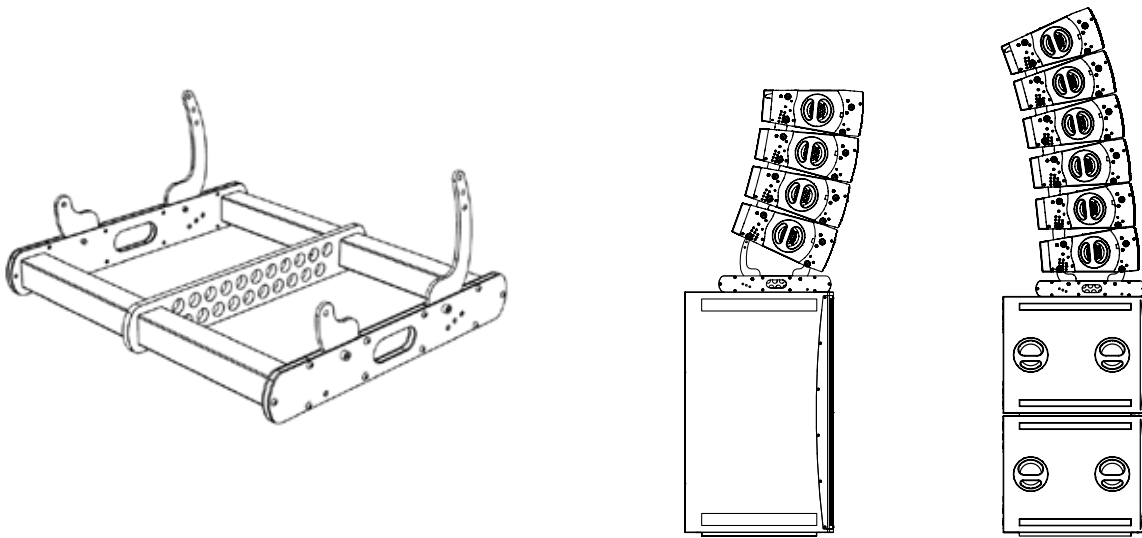


Technical  
Data Sheet

# Overview

Stack adaptor for RF600.

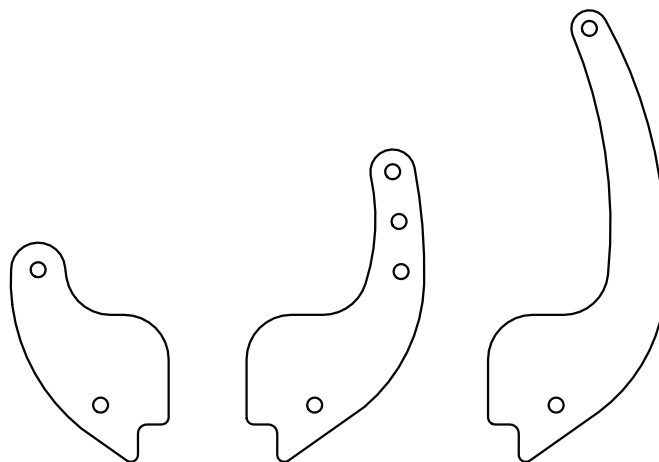
RF 600 STK is a kit of metal parts that allows for stack settings in different angles.



## Technical Data

<b>Construction</b>	Weatherized steel
<b>Dimensions</b>	-
<b>Weight</b>	2 kg
<b>Max. Load</b>	-
<b>Safety Ratio</b>	-
<b>Compatible models</b>	RF-600

## Technical Drawings





I MÁS D ELECTROACÚSTICA SL

Pol. A Trabe 19-20, 15350 – Cedeira, A Coruña (España)

Tel. +34 881 545 135

[www.ideaproaudio.com](http://www.ideaproaudio.com)

[info@ideaproaudio.com](mailto:info@ideaproaudio.com)

*Specifications and product appearance may be subject to change without notice.*

TD\_RF-600-STK\_EN\_v2.0 | 11 - 2022