

FEATURES

- Compact form-factor
- Premium European high-efficiency custom IDEA 10" Transducer
- 8 Ohm Passive
- Euroblock terminals
- Rugged 15 mm birch plywood construction and finish
- Durable Aquaforce paint, available in standard textured black or white
- Optional RAL colors on demand



APPLICATIONS

- Main or distributed subwoofer system in Pubs, Lounges, Bars and small clubs
- High SPL A/V sets sound reinforcement



OVERVIEW

BASSO Series models allow users to choose the most adequate subwoofer setup for any given situation from within a family of products with common finish, design solutions and performance philosophy, as well as shared rigging and transport accessories.

BASSO10i is a very compact 10" subwoofer that delivers serious SPL levels for installations that require professional sound reinforcement in spaces where integration and size are key requirements.

The 10" low-frequency transducer allows this compact, powerful box to deliver high-quality audio signal with maximum electro-acoustical efficiency and excellent LF performance.

This compact form-factor cabinet measures 150mm deep allowing for unobtrusive, discreet integration into any location for professional installations thanks to the wall-mount accessory for convenient, quick setup operations.

Built with the same durable, rugged construction as all **BASSO** family members, **BASSO10i** cabinet is made with 15 mm birch plywood and finished with exclusive IDEA Aquaforce textured painting. The 1.5 mm weatherized steel grille with Aquaforce coating and an internal foam panel provides long-term protection under any ambient conditions.

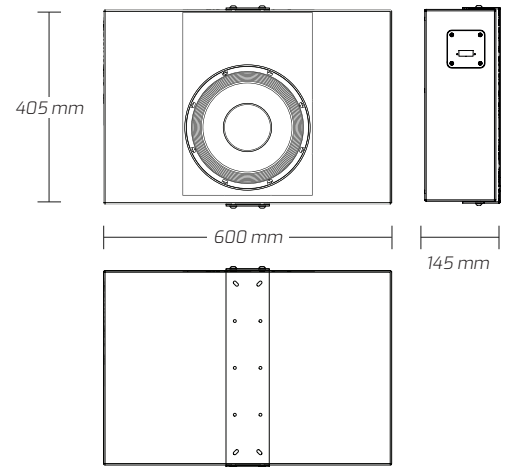


The wall-mount U-bracket accessory allows for convenient installation of **BASSO10i**

TECHNICAL DATA

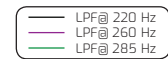
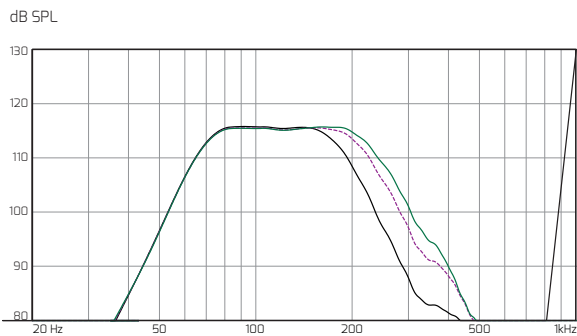
Enclosure design	Bass Reflex
Transducers	10"
Power Handling (RMS)	300 W
Nominal Impedance	8 Ohm
SPL (Continuous/Peak)	115/121 dB SPL
Frequency Range (-10 dB)	70 - 220/260/285 Hz
Frequency Range (-3 dB)	84 - 180/210/225 Hz
Dimensions (WxHxD)	600 x 405 x 145 mm (23.62 x 15.9 x 5.7 in)
Weight	12.7 kg (28 lb)
Connectors	Euroblock
Cabinet Construction	15 mm birch plywood
Grille	1.5 mm perforated weatherised steel with protective foam
Finish	Durable, high-resistance IDEA-proprietary Aquaforce paint coating process
Installation	4 x M8 inserts
Accessories	U-bracket vertical (UB-B10i-V)

TECHNICAL DRAWINGS



ACOUSTICAL MEASUREMENTS

FREQUENCY RESPONSE



This graph shows the frequency response for a 1-watt swept sine signal in a semi-anechoic environment (2π), measured at 3 m and scaled down at 1 m.

In order to provide more precise information for acoustical analysis, a 1/6 octave smoothing has been applied.

IMPEDANCE

