

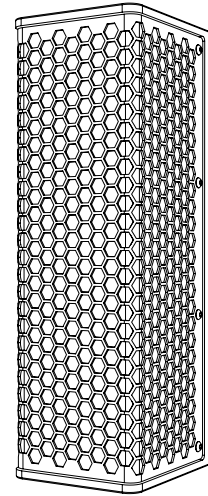
LUA4C is a compact and versatile Mid/High Frequency loudspeaker featuring four 3" wide band high power transducers. This column loudspeaker features all the expected benefits of this kind of driver arrangement: very focused and controlled directivity, extremely natural and defined midrange reproduction and surprising throw of acoustic energy for such contained dimensions.

For installations requiring very refined audio reproduction and superior directivity control, it features a 8/32 Ohm selectable impedance switch, that makes the **LUA4C** ideal for distributed audio solutions in highly reverberant spaces or in locations where speech intelligibility is paramount.

IDEA provides for **LUA4C** recommended DSP settings for different processing platforms, and with many different IDEA subwoofers, particularly with **BASSO10**, **BASSO12i** and **BASSO12t**.

For portable sound reinforcement applications, providing rich and powerful solutions for mobile entertainers, small music ensembles rehearsal and live performances, DJs and high-impact corporate presentations, **LUA4C** is best configured as **LUA4C** System, pairing with the **BASSO12 M**, active high performance 12" subwoofer that provides DSP processing and power (by Powersoft) to the **LUA4C**.

LUA4 C is available in all RAL colours as well as in weatherized versions (with optional micro-perforated protection grill), and offers both adjustable angle wall-mount and pole-mount accessories.



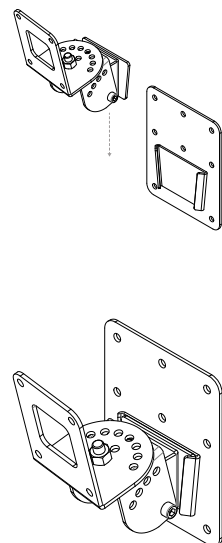
OPTIONAL INSTALLATION ACCESSORIES

LUA4C feature optional wall-mount dedicated accessory for ease of installation in distributed audio environments in order to easily integrate with the venue, as well as a pole-mount accessory for easy setup in mobile sound applications.

The U-Bracket WM-L48C (shown in the image on the right) uses the cabinet's four M8 insert to attach the bracket and M6 bolts to lock the desired angulation points with 7 horizontal positions and 4 vertical tilt angles

Screw the back plate to the wall, fit the angulation parts to the cabinet and slide down the **LUA4C** with the accessory into the back plate brackets to assemble both parts. This easy, convenient installation process saves time at the setup operation while allowing for precise vertical and horizontal positioning of the loudspeaker.

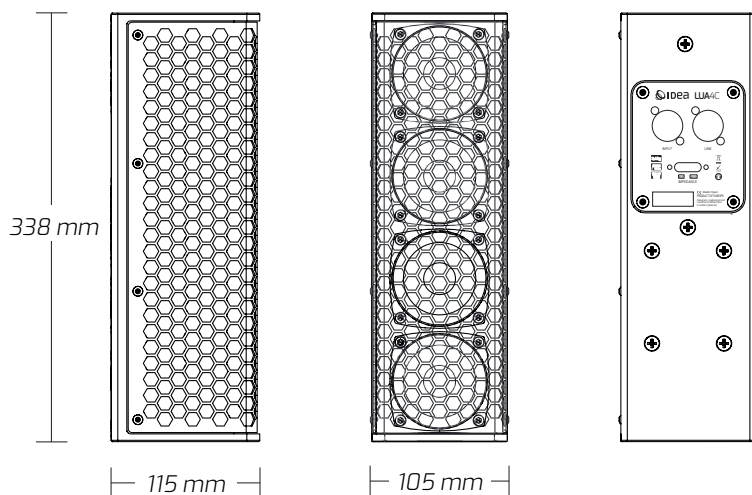
The PA-**LUA48** optional accessory couples to the bottom side of the cabinet with 4 M6 inserts and features a 36-mm pole mount cup to use with any standard 35-mm distance rod.



TECHNICAL DATA

Enclosure Design	Sealed
Transducers	4 x 3"
Power Handling (RMS)	120 W
Nominal Impedance	8 / 32 Ohm selectable
SPL (Continuous/Peak)	113/119 dB SPL
Frequency Range (-10 dB)	120 - 20000 Hz
Frequency Range (-3 dB)	180 - 20000 Hz
Coverage	80° x 35° (H/V)
Dimensions (W x H x D)	105 x 338 x 115 mm (4.1 x 13.3 x 4.5 in)
Weight	3.4 kg (7.5 lb)
Connectors	2 x Neutrik speakOn NL-4 in parallel
+/-1	Input
+/-2	Link
Cabinet Construction	12 mm Plywood
Grille	1.5 mm perforated weatherised steel with protective foam
Finish	Durable IDEA proprietary Aquaforce high-resistance paint coating process
Accessories	Pole Adaptor Accessory (PA-L48C) Wall mount (WM L48C) Metal plate (MP LUA4C) 35 mm Pole (K&M-21336)

TECHNICAL DRAWINGS



WARNINGS AND SAFETY GUIDELINES

- Read this document thoroughly, follow all safety warnings and keep it for future reference.



- The exclamation mark inside a triangle indicates that whatever repairing and component replacement operations must be done by qualified and authorized personnel.

- No user serviceable parts inside.

- Only use accessories tested and approved by IDEA and supplied by the manufacturer or an authorized dealer.

- Installations, rigging and suspension operations must be done by qualified personnel.

- Only use accessories specified by IDEA, complying with maximum loads specifications and following local safety regulations.



- Read the specifications and connection instructions before proceeding to connect the system and use only cabling supplied or recommended by IDEA. Connection of the system should be done by qualified personnel.

- Professional sound reinforcement systems can deliver high SPL levels that may result in hearing damage. Do not stand close to the system while in use.



- Loudspeakers produce magnetic field even while they are not in use or even when disconnected. Do not place or expose loudspeakers to any device that is sensitive to magnetic fields such as television monitors or data storage magnetic material.

- Disconnect the equipment during lightning storms and when it is not to be used for a long time.

- Do not expose this device to rain or moisture.

- Do not place any objects containing liquids, such as bottles or glasses, on the top of the unit. Do not splash liquids on the unit.

- Clean with a wet cloth. Do not use solvent-based cleaners.

- Regularly check the loudspeaker housings and accessories for visible signs of wear and tear, and replace them when necessary.

- Refer all servicing to qualified service personnel.



- This symbol on the product indicates that this product should not be treated as household waste. Follow local regulation for recycling of electronic devices.

- IDEA declines any responsibility from misuse that may result in malfunction or damage of the equipment.

WARRANTY

- All IDEA products are guaranteed against any manufacturing defect for a period of 5 years from date of purchase for acoustical parts and 2 years from date of purchase for electronic devices.
- The guarantee excludes damage from incorrect use of the product.
- Any guarantee repair, replacement and servicing must be exclusively done by the factory or any of authorized service centres.
- Do not open or intend to repair the product; otherwise servicing and replacement will not be applicable for guarantee repair.
- Return the damaged unit, at shipper's risk and freight prepaid, to the nearest service centre with a copy of the purchase invoice in order to claim guarantee service or replacement.

DECLARATION OF CONFORMITY

I MAS D ELECTROACÚSTICA SL

POL. A TRABE 19-20 15350 CEDEIRA (GALICIA - SPAIN)

DECLARES THAT: LUA4C

COMPLIES WITH THE FOLLOWING EU DIRECTIVES:

ROHS (2002/95/CE) RESTRICTION OF HAZARDOUS SUBSTANCES

LVD (2006/95/CE) LOW VOLTAGE DIRECTIVE

EMC (2004/108/CE) ELECTRO-MAGNETIC COMPATIBILITY

WEEE (2002/96/CE) WASTE OF ELECTRIC AND ELECTRONIC EQUIPMENT

EN 60065: 2002 AUDIO, VIDEO AND SIMILAR ELECTRONIC APPARATUS. SAFETY REQUIREMENTS.

EN 55103-1: 1996 ELECTROMAGNETIC COMPATIBILITY: EMISSION

EN 55103-2: 1996 ELECTROMAGNETIC COMPATIBILITY: IMMUNITY



www.ideaproaudio.com



For further information scan the QR Code
or refer to the following web address: www.ideaproaudio.com/product-detail/lu4c

IDEA is always in pursuit of better performance, greater reliability and design features.
Technical specifications and minor finish details may vary without notice in order to improve our products.

©2020 - I MAS D Electroacústica SL

PoL A Trabe 19-20 15350 Cedeira (Galicia - Spain)