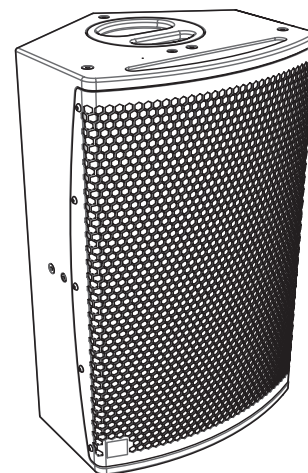


2-Way Passive Multipurpose Loudspeaker

FEATURES

- Rugged and durable 15 mm Birch Plywood construction and finish
- 60° Wedged-Cabinet
- Premium European High Efficiency custom IDEA Transducers and passive crossover boards
- 36 mm Pole mount cup and dedicated LINK Installation and rigging accessories
- IDEA proprietary axisymmetric coherent spherical wave-front HF assembly
- 8 Ohm Passive
- Dual Neutrik NL4 connectors
- Durable Aquaforce paint, available in standard textured black or white
- Full range bandwidth, with linear response from 55 Hz.
- 1.5 mm Aquaforce coated steel grille with internal protective foam



APPLICATIONS

- A/V portable and installed sound reinforcement
- Mobile entertainers and voice reinforcement
- FG/BG music reproduction in distributed audio installed solutions
- Commercial and High Power domestic applications

OVERVIEW

LUA15i is true full-range superior quality audio playback 2-way passive monitor with an innovative and attractive enclosure design.

LUA15i is a high resolution loudspeaker with unique design ideal for high quality music playback in AV portable systems and distributed audio installed solutions.

Featuring premium European high-efficiency transducers, LUA15i HF assembly integrates a 1.75" compression driver coupled with IDEA's proprietary Vertical-Horizontal symmetrical wide coverage horn and the LF section features a 15" woofer with two frontal firing ports that deliver full-range audio playback (capable of extending LF frequency response down to 50Hz) out of this rugged and durable 15 mm Birch Plywood cabinet with the exclusive design finish.

LUA15i matches the requirements for A/V and basic professional sound reinforcement applications as well as installations that benefit from a relatively compact design that delivers, in the mid-field at full power or in open spaces at BGM levels, sufficient LF response without subwoofers.

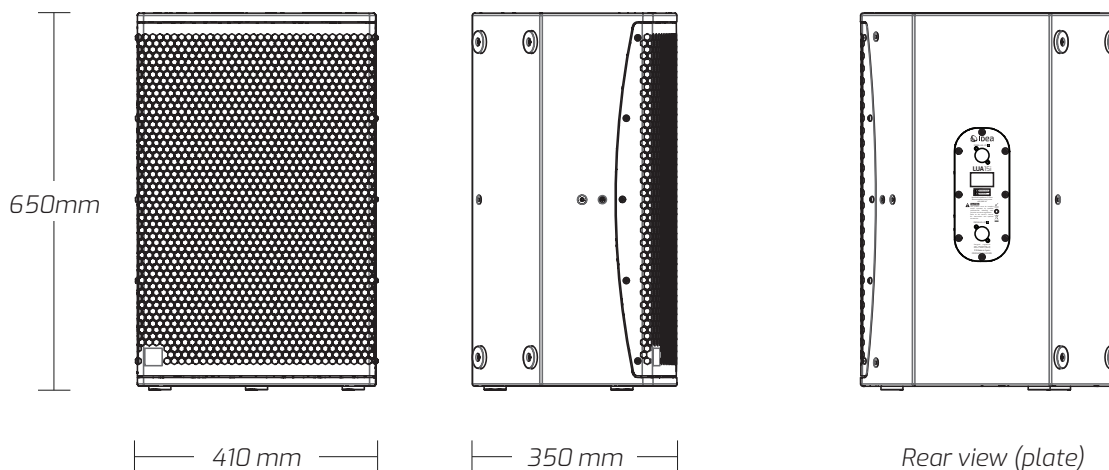
The 60° wedged-cabinet LUA15i has been designed for easy and straightforward setup and installation with a bottom 35mm pole mount socket and 2xM8 inserts to use with the optional LINK Series U-bracket. Wall-mounted in half space LUA15 can also be used in fixed installations as full-range sound system (thanks to the dual front-firing ports) at BGM levels, or to be always surprisingly powerful in combination with BASSO subwoofers.

Although LUA15i can perfectly work as standalone systems, the integration of LF reinforcement subwoofers clearly benefit the system performance. LUA15i couples seamlessly with BASSO Series subwoofers delivering serious power density and astonishing natural, pleasant sonic quality that make this configuration an ideal choice for those environments demanding for unobtrusive, stylish but high quality, powerful solutions.





TECHNICAL DATA

Enclosure design	Curved Cabinet · Bass-Reflex
LF Transducers	1 x 15" woofer
HF Transducers	1.75" Voice Coil Compression Driver (1.4 Exit, 120 mm magnet)
RMS Power Handling *	400 W
Nominal Impedance	8 Ohm
SPL (Continuous/Peak)	123/129 dB SPL
Frequency Range (-10 dB)	55 - 20000 Hz
Frequency Range (-3 dB)	78 - 18000 Hz
Coverage	80° Axisymmetric
Dimensions (WxHxD)	410 x 650 x 350 mm
Weight	21 kg
Connectors +/-1 +/-2	2 x Neutrik speakON® NL-4 in parallel Input Link
Cabinet Construction	15 mm Birch Plywood
Grille	1.5 mm perforated weatherised steel with protective foam
Finish	Durable IDEA proprietary Aquaforce high-resistance paint coating process
Handles	2 integrated handles
Feet/skates	4 Rubber feet
Installation	6 threaded M8 inserts. Bottom 36 mm pole mount socket
Accessories	35 mm Pole (K&M-21336)

TECHNICAL DRAWINGS



WARNINGS AND SAFETY GUIDELINES

- Read this document thoroughly, follow all safety warnings and keep it for future reference.
-  · The exclamation mark inside a triangle indicates that whatever repairing and component replacement operations must be done by qualified and authorized personnel.
- No user serviceable parts inside.
- Only use accessories tested and approved by IDEA and supplied by the manufacturer or an authorized dealer.
- Installations, rigging and suspension operations must be done by qualified personnel.
- Only use accessories specified by IDEA, complying with maximum loads specifications and following local safety regulations.
- Read the specifications and connection instructions before proceeding to connect the system and use only cabling supplied or recommended by IDEA. Connection of the system should be done by qualified personnel.
-  · Professional sound reinforcement systems can deliver high SPL levels that may result in hearing damage. Do not stand close to the system while in use.
- Loudspeakers produce magnetic field even while they are not in use or even when disconnected. Do not place or expose loudspeakers to any device that is sensitive to magnetic fields such as television monitors or data storage magnetic material.
-  · Disconnect the equipment during lightning storms and when it is not to be used for a long time.
- Do not expose this device to rain or moisture.
- Do not place any objects containing liquids, such as bottles or glasses, on the top of the unit. Do not splash liquids on the unit.
- Clean with a wet cloth. Do not use solvent-based cleaners.
- Regularly check the loudspeaker housings and accessories for visible signs of wear and tear, and replace them when necessary.
- Refer all servicing to qualified service personnel.
-  · This symbol on the product indicates that this product should not be treated as household waste. Follow local regulation for recycling of electronic devices.
- IDEA declines any responsibility from misuse that may result in malfunction or damage of the equipment.

WARRANTY

- All IDEA products are guaranteed against any manufacturing defect for a period of 5 years from date of purchase for acoustical parts and 2 years from date of purchase for electronic devices.
- The guarantee excludes damage from incorrect use of the product.
- Any guarantee repair, replacement and servicing must be exclusively done by the factory or any of authorized service centres.
- Do not open or intend to repair the product; otherwise servicing and replacement will not be applicable for guarantee repair.
- Return the damaged unit, at shipper's risk and freight prepaid, to the nearest service centre with a copy of the purchase invoice in order to claim guarantee service or replacement.

DECLARATION OF CONFORMITY

I MAS D Electroacústica SL

Pol. A Trabe 19-20 15350 CEDEIRA (Galicia - Spain)

Declares that: **LUA15i**

Complies with the following EU Directives:

- RoHS (2002/95/CE) Restriction of Hazardous Substances
- LVD (2006/95/CE) Low Voltage Directive
- EMC (2004/108/CE) Electro-Magnetic Compatibility
- WEEE (2002/96/CE) Waste of Electric and Electronic Equipment
- EN 60065: 2002 Audio, video and similar electronic apparatus. Safety requirements.
- EN 55103-1: 1996 Electromagnetic compatibility: Emission
- EN 55103-2: 1996 Electromagnetic compatibility: Immunity