

BASSO R118-A



3,2 kW 18" Active Subwoofer

BASSO R118-A is very high performance professional active subwoofer, created to be a reference in power delivery, tone and precision for the top-tier sound engineers worldwide seeking for ultimate subwoofer performance and Rental/Production companies in search for unbeatable cost-performance.

Working with truly extended bandwidth, dynamic range, definition and superior SPL has forever been reserved for the luxurious elite; **BASSO** R118-A makes that kind of performance available and affordable for professionals of all budgets and ROI expectations.

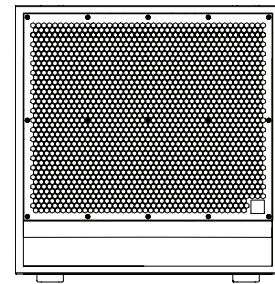
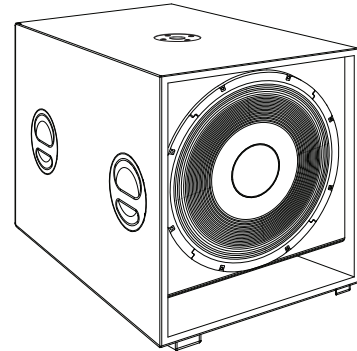
It features a revolutionary latest-Gen extra-long excursion and controlled linear displacement 18" LEX Flagship NEO Woofer manufactured by BEYMA, equipped with unique cooling and thermal diffusion technologies, coupled with the most advanced precision manufacturing techniques and materials to deliver massive output with extremely reduced power compression and distortion, compared with any equivalent subwoofer in the market.

The bass-reflex port and the enclosure of the **BASSO** R118-A have been carefully designed and built to be ready to endure the mechanical stress and needs of the most demanding productions while delivering vibration free, minimizing port noises, managing extreme SPL and remaining compact and light within reason.

BASSO R118-A includes all the practical staples of live sound ground stacked, with handles and wheels positioned to facilitate load and setup, durable finish for metal and wooden parts, recessed front protection grill, vertical and horizontal wooden skates and a convenient front SpeakON NL-4 extra input.

Other rigging possibilities for flown and stacked applications with other IDEA point source and line-array speaker solutions are available, as well as transport/storage/weather protections accessories.

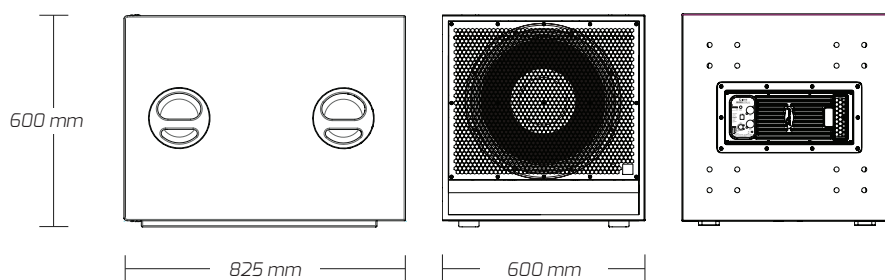
BASSO R118-A features a 3200 W Powersoft Power Module with on-board DSP and factory presets (including end-fire and Cardioid).



TECHNICAL DATA

Enclosure design	Bass Reflex
Transducers	1 x 18"
Class-D Amp	3200 W
SPL (Continuous/Peak)	134/140 dB SPL
Frequency Range (-10 dB)	31 - 120 Hz
Frequency Range (-3 dB)	37 - 80/100 Hz (with IDEA DSP settings)
Dimensions (WxHxD)	600 x 600 x 825 mm (23,6 x 23,6 x 29,1 inch)
Weight	51 kg (112,4 lbs)
Connections	Neutrik PowerCON® Neutrik XLR
Cabinet Construction	18 mm Plywood
Grille	2 mm perforated weatherised steel with protective foam
Finish	Durable IDEA proprietary Aquaforce paint coating process
Handles	4 integrated handles
Feet/Skates	2 skates (H/V)
Pole Mount	36 mm socket (V)
Accessories	35 mm Pole (K&M-21338) Wheels (WH-04)

TECHNICAL DRAWINGS



WARNINGS AND SAFETY GUIDELINES



- Read this document thoroughly, follow all safety warnings and keep it for future reference.
- The exclamation mark inside a triangle indicates that whatever repairing and component replacement operations must be done by qualified and authorized personnel.
- No user serviceable parts inside.
- Only use accessories tested and approved by IDEA and supplied by the manufacturer or an authorized dealer.



- Installations, rigging and suspension operations must be done by qualified personnel.
- This is a Class I device. Do not remove Mains connector ground.
- Only use accessories specified by IDEA, complying with maximum loads specifications and following local safety regulations.



- Read the specifications and connection instructions before proceeding to connect the system and use only cabling supplied or recommended by IDEA. Connection of the system should be done by qualified personnel.
- Professional sound reinforcement systems can deliver high SPL levels that may result in hearing damage. Do not stand close to the system while in use.



- Loudspeakers produce magnetic field even while they are not in use or even when disconnected. Do not place or expose loudspeakers to any device that is sensitive to magnetic fields such as television monitors or data storage magnetic material.
- Keep the equipment in the safe working temperature range [0°-45°] at all times.
- Disconnect the equipment during lightning storms and when it is not to be used for a long time.
- Do not expose this device to rain or moisture.
- Do not place any objects containing liquids, such as bottles or glasses, on the top of the unit. Do not splash liquids on the unit.
- Clean with a wet cloth. Do not use solvent-based cleaners.
- Regularly check the loudspeaker housings and accessories for visible signs of wear and tear, and replace them when necessary.
- Refer all servicing to qualified service personnel.



- This symbol on the product indicates that this product should not be treated as household waste. Follow local regulation for recycling of electronic devices.
- IDEA declines any responsibility from misuse that may result in malfunction or damage of the equipment.

WARRANTY

- All IDEA products are guaranteed against any manufacturing defect for a period of 5 years from date of purchase for acoustical parts and 2 years from date of purchase for electronic devices.
- The guarantee excludes damage from incorrect use of the product.
- Any guarantee repair, replacement and servicing must be exclusively done by the factory or any of authorized service centres.
- Do not open or intend to repair the product; otherwise servicing and replacement will not be applicable for guarantee repair.
- Return the damaged unit, at shipper's risk and freight prepaid, to the nearest service centre with a copy of the purchase invoice in order to claim guarantee service or replacement.

DECLARATION OF CONFORMITY

I MAS D Electroacústica SL

Constitución 5 – 9, 46009 VALENCIA (Spain)

Declares that: **BASSO R118-A**

Complies with the following EU Directives:

- RoHS (2002/95/CE) Restriction of Hazardous Substances
- LVD (2006/95/CE) Low Voltage Directive
- EMC (2004/108/CE) Electro-Magnetic Compatibility
- WEEE (2002/96/CE) Waste of Electric and Electronic Equipment
- EN 60065: 2002 Audio, video and similar electronic apparatus. Safety requirements.
- EN 55103-1: 1996 Electromagnetic compatibility; Emission
- EN 55103-2: 1996 Electromagnetic compatibility; Immunity



www.ideaproaudio.com



For further information scan the QR Code
or refer to the following web address: www.ideaproaudio.com

IDEA is always in pursuit of better performance, greater reliability and design features.
Technical specifications and minor finish details may vary without notice in order to improve our products.

©2019 - I MAS D Electroacústica SL
Av. Constitución 5-9 46009 VALENCIA