

# RS-BASSO-L

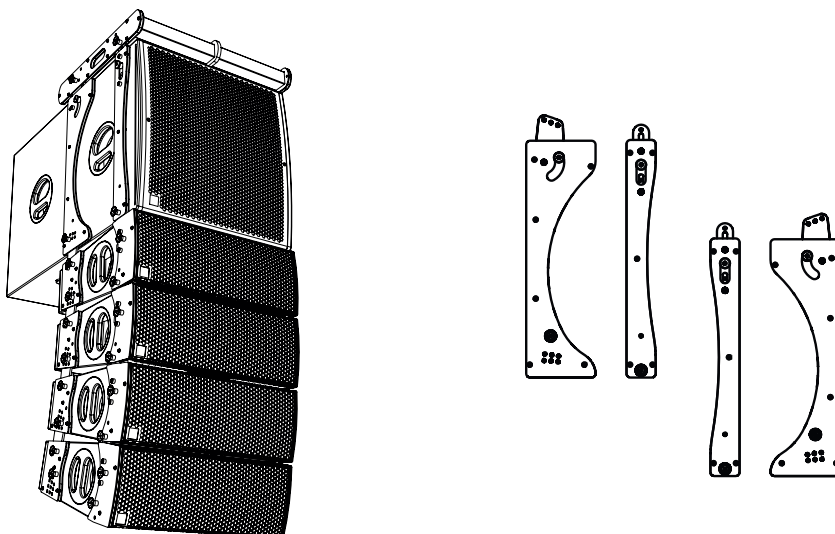
Rigging Accessory



Technical  
Data Sheet

## Overview

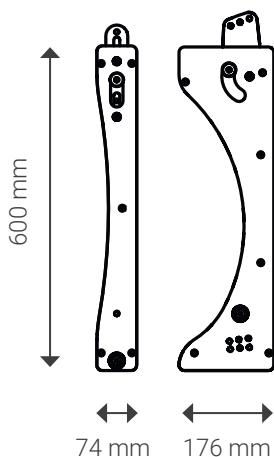
This four-piece optional kit can be screwed to both sides of **BASSO** subwoofers and lock the cabinet into the array for both flown and stacked configurations. The hardware's integrated locking points allow for secure, quick setup operation and deployment of the system. RS **BASSO L** allows for both flown and stacked configurations (along with RF 600 and additional Stack accessories).



## Technical Data

<b>Construction</b>	Weatherized steel
<b>Dimensions</b>	600 x 74 x 12 mm (front) / 600 x 176 x 12 mm (rear).
<b>Weight</b>	4.2 kg
<b>Compatible models</b>	<b>BASSO18, BASSO18-A, BASSO21, BASSO21-A, BASSO21t, BASSO36t, BASSO36t-A.</b>

## Technical Drawings



### **!** IMPORTANT Safety and Warranty notice

This rigging equipment has been designed and constructed to be used exclusively with **IDEA** Line-Array models **BASSO18, BASSO18-A, BASSO21, BASSO21-A, BASSO21t, BASSO36t, BASSO36t-A.**



I MÁS D ELECTROACÚSTICA SL

Pol. A Trabe 19-20, 15350 – Cedeira, A Coruña (España)

Tel. +34 881 545 135

[www.ideaproaudio.com](http://www.ideaproaudio.com)

[info@ideaproaudio.com](mailto:info@ideaproaudio.com)

*Specifications and product appearance may be subject to change without notice.*

TD\_RS-BASSO-L\_EN\_v2.0 | 12 - 2022