

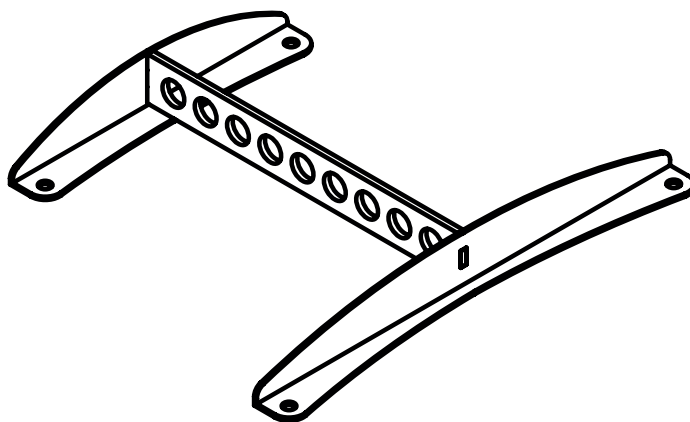
RF-EX032
Rigging Frame Accessory for **EX032-A**



**Technical
Data Sheet**

Overview

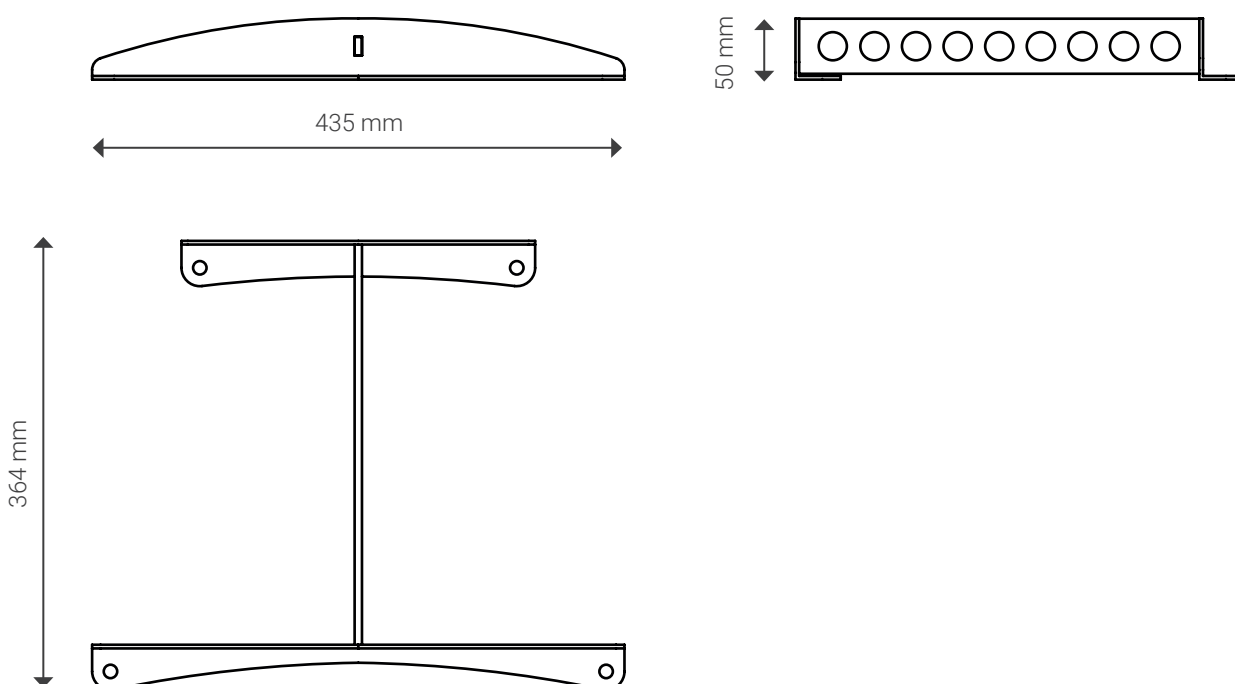
RF-EXO32 is a dedicated rigging frame that allows for quick, easy and secure deployment in flown setups of EXO32-A. The rigging frame has been design to seamlessly fit and lock with EXO32-A.



Technical Data

Construction	Weatherized steel
Dimensions	435 x 50 x 364 mm
Weight	1.5 kg
Max. Load	1 x EXO32-A
Compatible models	EXO32-A

Technical Drawings





I MÁS D ELECTROACÚSTICA SL

Pol. A Trabe 19-20, 15350 – Cedeira, A Coruña (España)

Tel. +34 881 545 135

www.ideaproaudio.com

info@ideaproaudio.com

Specifications and product appearance may be subject to change without notice.

TD_RF-EX032_EN_v2.0 | 12 - 2022